

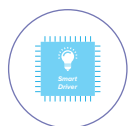
SkyLite Prime - Next-generation Smart City lighting controller

With SkyLite Prime, cities can effortlessly upgrade their streetlights with intelligent controls turning them into smart city connectivity hubs. When combined with a smart driver, SkyLite Prime delivers advanced system health analytics, power metering and asset management support. A standardized Zhaga interface ensures a quick installation and universal luminaire compatibility.

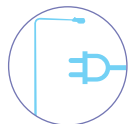
Designed in the Netherlands  Made in Europe 



Features



Smart Driver ready



Lighting control via 0-10V / DALI / DALI 2.0 / SR



Controls up to 4 drivers



Lux sensor to measure ambient light levels



Adaptive, autonomous, AstroClock and calendar-based dimming



IP65 with similar rated Luminaire + UV Stabilized



Compatible with all existing TVILIGHT products



2.4 GHz communication

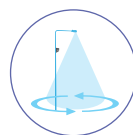
Benefits



Universal luminaire compatibility via standard Zhaga socket



Advanced luminaire health information and monitoring



External sensor input; trigger surrounding lights creating a safe circle of light around the road user



Open API for third party software compatibility



High accuracy power metering; ANSI 136.52 compliant for supported drivers



TECHNICAL SPECIFICATIONS

PR155901 SkyLite Prime Zhaga 24VDC 2.4GHz

TVILIGHT
EMPOWERING INTELLIGENCE

ELECTRICAL INPUT DATA

Rated supply voltage range	18-30VDC
Rated supply voltage	24VDC
Rated supply current	125mA
Power consumption operating	~1.5W
Power backup (RTC)	24 hours
Logical system input (LSI)	0 - 30VDC
LSI logical low	0 - 6VDC or open
LSI logical high	7 - 30VDC
LSI max current draw	10mA
LSI output range	0 - max supply voltage
Dimming control	0-10VDC (IEC60929) / DALI / DALI 2.0 / SR
DALI supply bus voltage	20VDC
DALI supply current	60mA
DALI supply current guarantee	53mA

COMMUNICATION DATA

Network	2.4GHz IEEE 802.15.4 self-forming, self-healing wireless network
Radio (max. transmit power)	+9.5dBm (EU)
Radio (receiver sensitivity)	-96dBm
Security	128 AES encryption
Wireless range	200 m*
Gateway to device ratio	1:200*

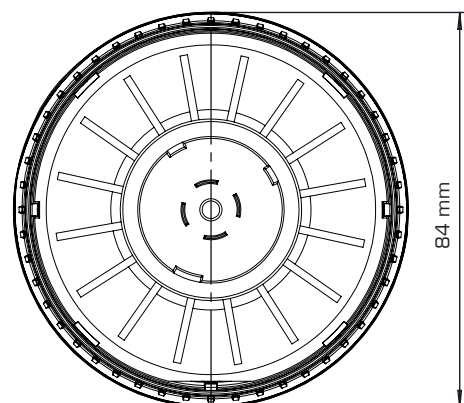
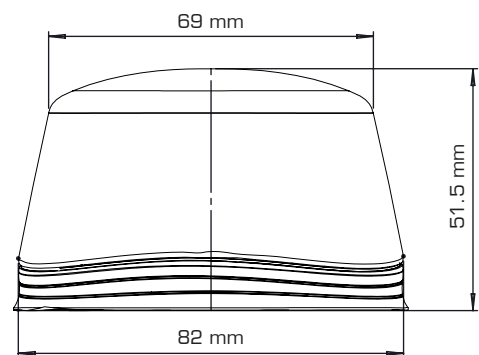
*depending on field conditions

CERTIFICATES & STANDARDS

Approval marks	CE
IEC protection class	Class 3
Ingress protection classification	IP65 with similar rated Luminaire

MECHANICAL DATA

Enclosure	Transparent Polycarbonate, UL94 V-0
Color	Pantone - Cool Grey 5 C
Antenna	Integrated
Weight	88g
Dimensions	84 x 51.5 mm



PROTECTION

Supply protection	Reverse polarity protection	
Output protection	Short circuit protection with auto-recovery Reverse polarity protection and over-voltage protection on DIMMING lines (pin 2/3) LSI I/O mode protection; configuration of incorrect function mode will not damage device LSI output over-current protection with auto-recovery	

OPERATIONAL TEMPERATURES & HUMIDITY

Ambient temperature (T _a)	-30 to +60 °C	Higher ambient temperature allowed as long as T _{case-max} is not exceeded
Relative humidity	10 to 90 %	Non-condensing
T _{case-max}	+85 °C	
T _{case-life}	+70 °C	

STORAGE TEMPERATURES & HUMIDITY

Storage temperature	-40 to +60 °C	
Relative humidity	5 – 95 %	Non-condensing

LIFETIME

Device lifetime	50K Hours	At T _{case} = +70 °C at T _c point / 10 % failure rate
-----------------	-----------	---

ADDITIONAL INFORMATION

Default ambient light sensor setting	ON	Turn light ON: 30 Lux / Turn light OFF: 45 Lux
Default dimming mode	0-10VDC	
Default light output	100 %	
Default LSI function	OFF	Refer to latest product documentation for supported functions
Default LSI mode	INPUT	

LED STAGE INDICATION

Red LED Blinking	Standalone Twilight switch mode enabled	
Green LED	Connected mode enabled	

WARRANTY INFORMATION

Warranty period	2 years	Subject to proper use of installation & application manuals
-----------------	---------	---

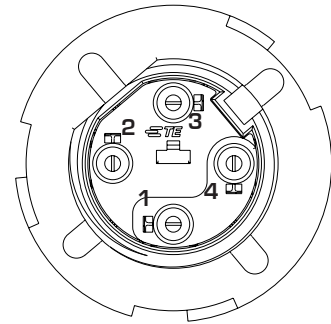
TECHNICAL SPECIFICATIONS

PR155901 SkyLite Prime Zhaga 24VDC 2.4GHz

TVILIGHT
EMPOWERING INTELLIGENCE

WIRING INFORMATION

Pin Number	Function
1	+24V power supply
2	Negative pole for analogue or DALI or DALI based protocol and shared ground return for 24V supply
3	Positive pole for analogue or DALI or DALI based protocol
4	General digital i/o (greater than 7VDC)



Bottom view Receptacle Assembly
(Gasket, Nut and Washer not shown for clarity)

LOGISTICS INFORMATION

Order Code	Product Description	Packaging Unit	Dimensions	Weight
PR155101	SkyLite Prime Zhaga 24VDC 9.5dBm 2.4GHz Multipack 12	Carton shipping box containing 12 x PR155101	(L - W - H) 394 - 294 - 60 mm	1400g

Use PR155101 when placing an order. This is a multipack with 12 devices and which is MOQ

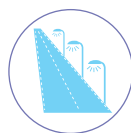
APPROVED ACCESSORIES

Accessory Type	Manufacturer	Manufacturers Part Description	Part Code
Mounting assembly	TE	RECEPTACLE ASSEM., LUMAWISE ENDURANCE S	2213858-1

Application



Roadways



Area lighting



Residential



Urban



Industrial



Parking



Ports



Rail stations