

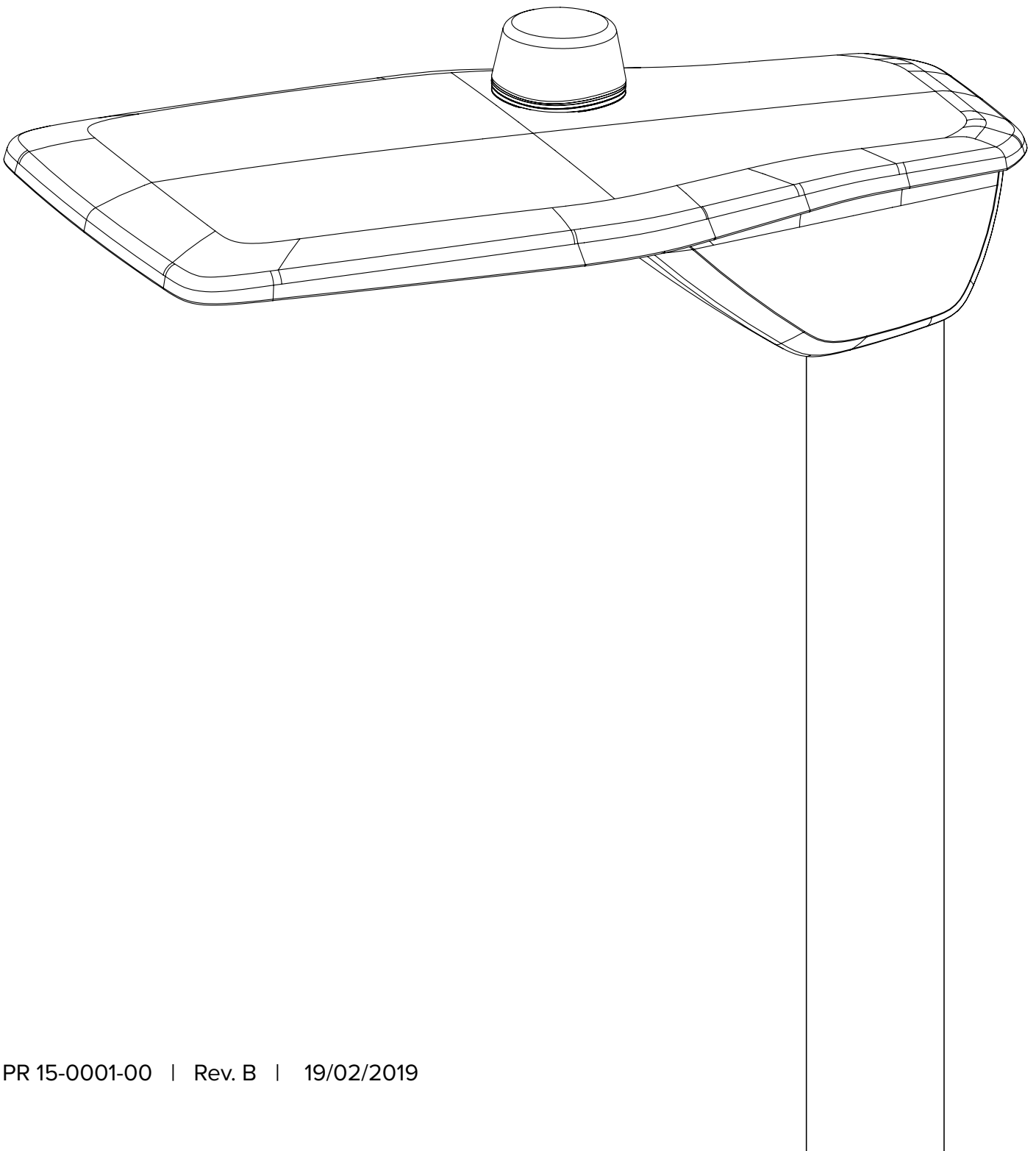
TVILIGHT



English

SkyLite Prime

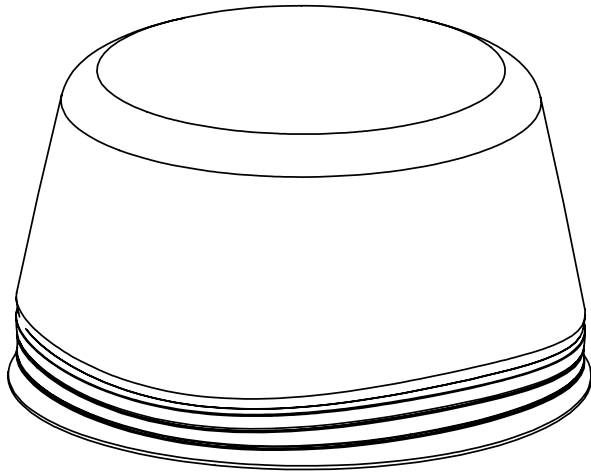
Installation Manual



TVILIGHT BV / Rozenburglaan 3, 9727 DL Groningen, the Netherlands
+31 (0)50 800 3240 / info@tvilight.com / www.tvilight.com

In box:

SkyLite Prime



1 x Pole ID Label



You Will Need

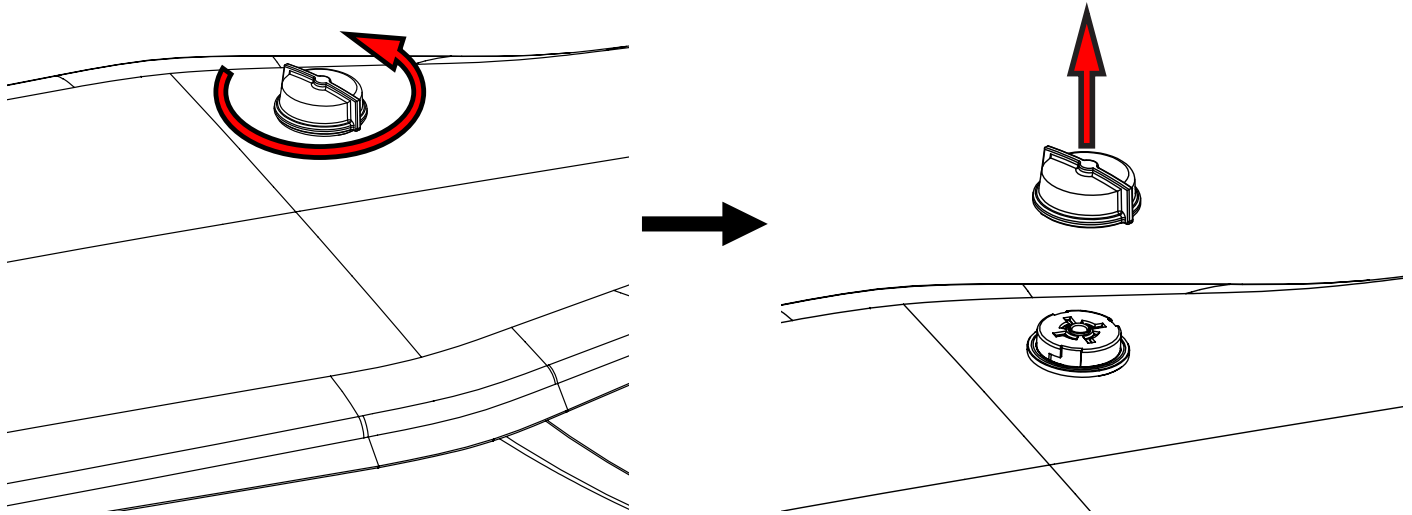
Scan&Go App



Available in the
Apple App Store
and in the
Google Play Store

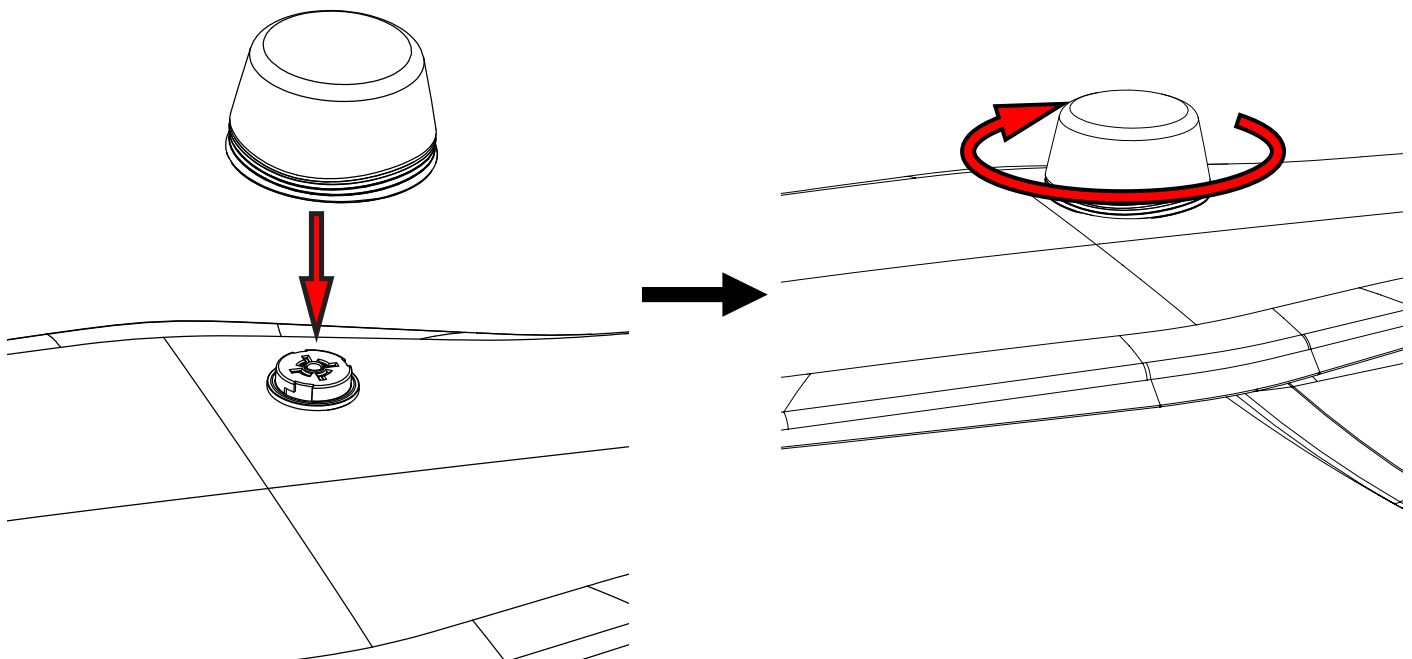
1. Remove Sealing Cap from the Zhaga Receptacle

NOTE: The receptacle, and therefore the SkyLite Prime, must be mounted on the top side of the luminaire.



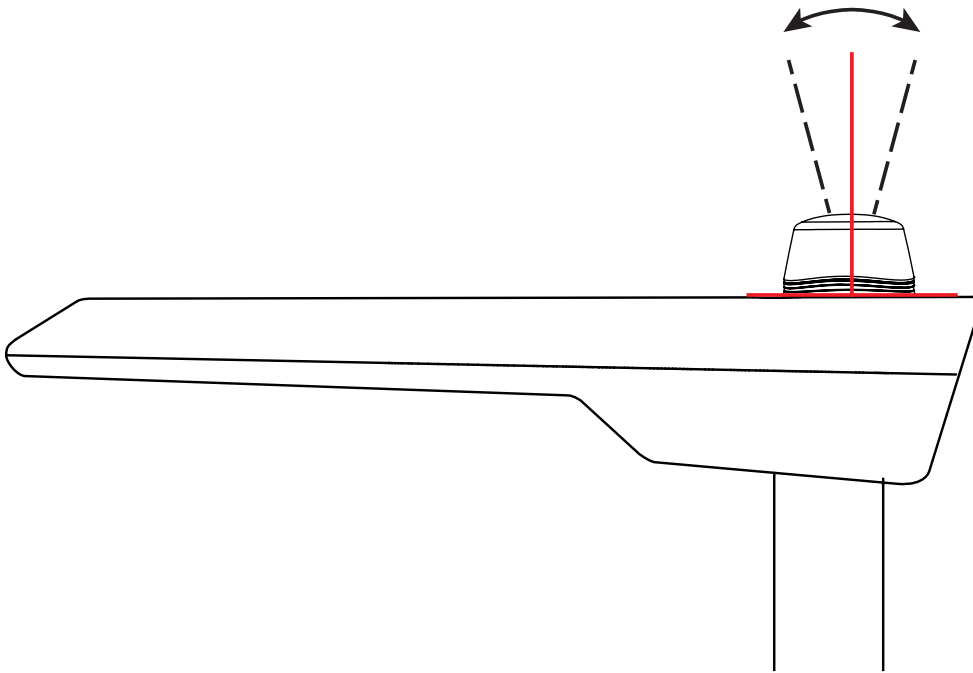
2. Connect Skylite Prime

Press SkyLite Prime onto the Zhaga Receptacle and twist to lock in place.



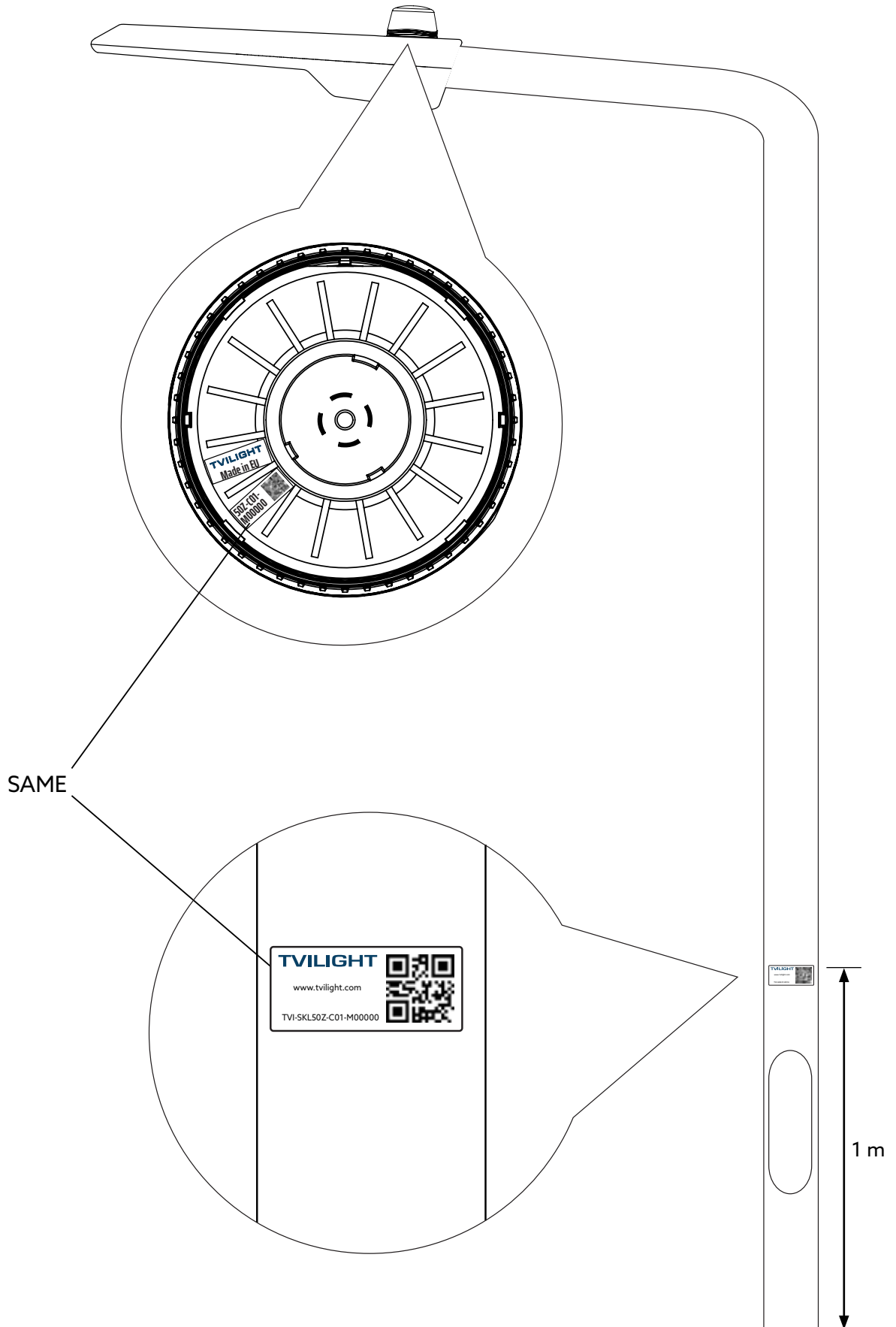
Note: SkyLite Prime has a maximum tilt angle of $\pm 15^\circ$ from horizontal

Max tilt $\pm 15^\circ$ from horizontal.

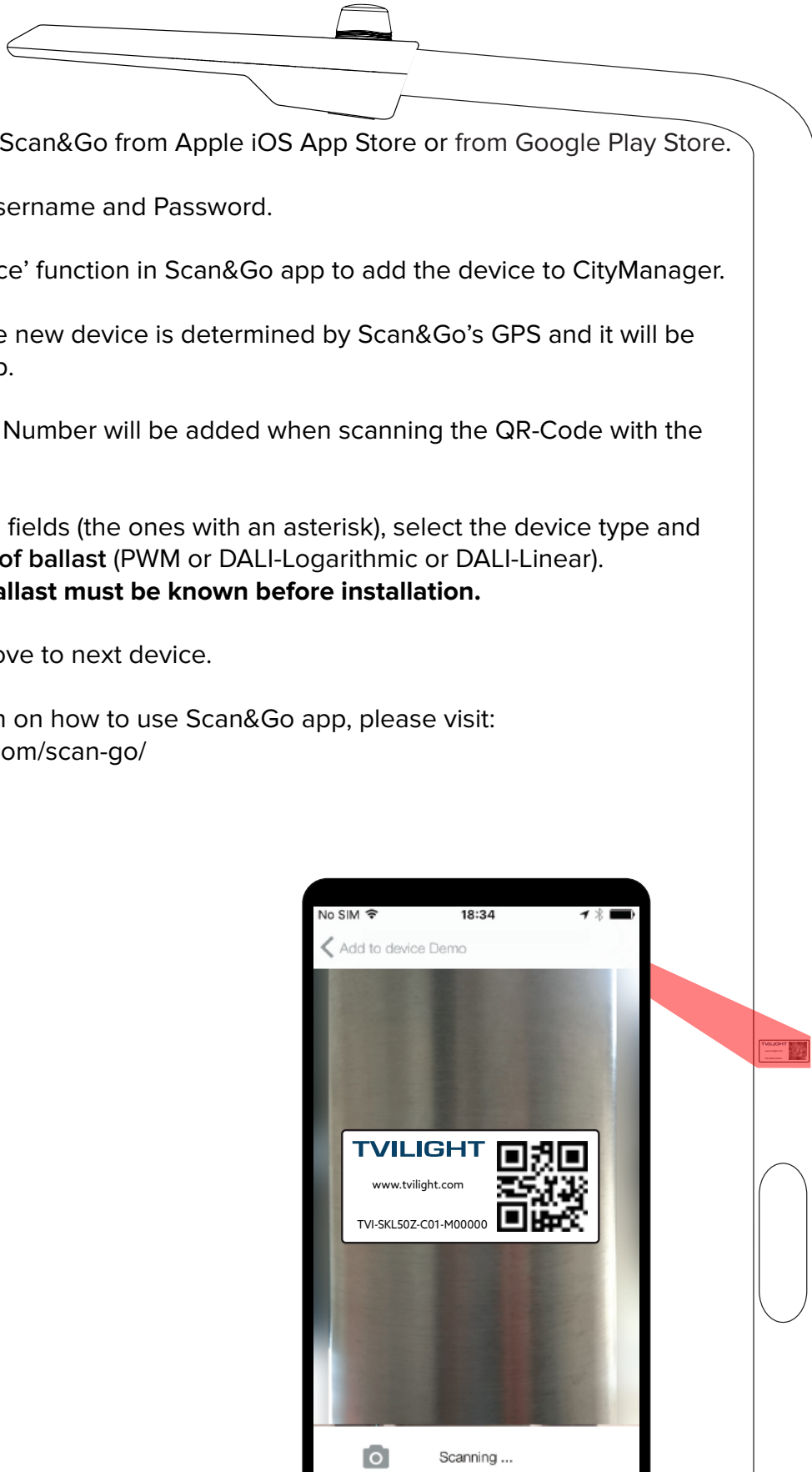


3. Apply Pole ID Label to the pole

Ensure that the Product and Pole ID Labels match.



4. Add device to CityManager



1. Download Tvilight Scan&Go from Apple iOS App Store or from Google Play Store.
2. Login with your Username and Password.
3. Use the 'Add device' function in Scan&Go app to add the device to CityManager.
4. The location of the new device is determined by Scan&Go's GPS and it will be indicated on the map.
5. The Device Serial Number will be added when scanning the QR-Code with the camera.
6. Fill in the required fields (the ones with an asterisk), select the device type and also **select the type of ballast** (PWM or DALI-Logarithmic or DALI-Linear).
Note: The type of ballast must be known before installation.
7. Press save and move to next device.

For more information on how to use Scan&Go app, please visit:
<https://www.tvilight.com/scan-go/>



Appendix : Zhaga Receptacle Mounting and Wiring Specification

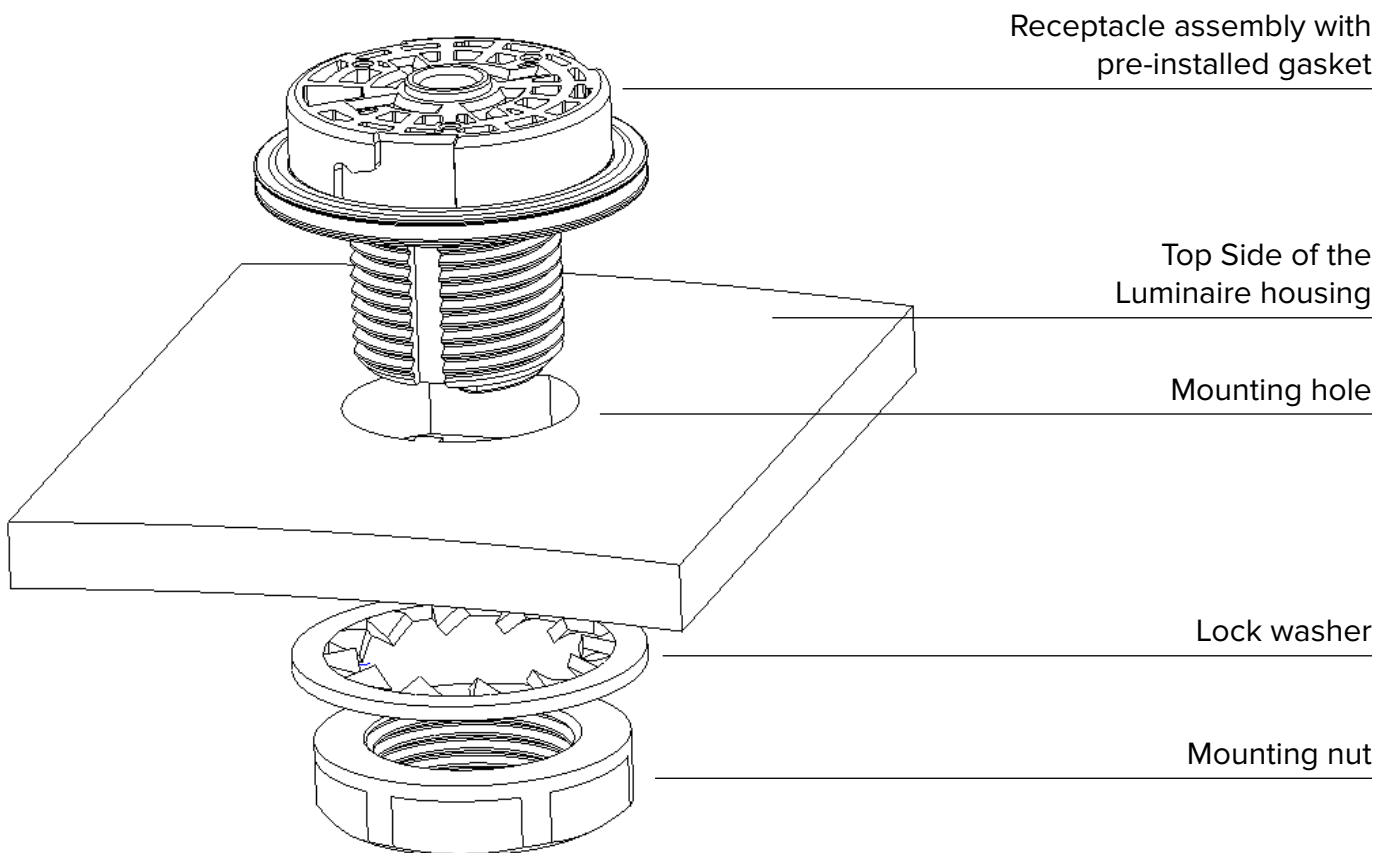
NOTE: The content in this Appendix is derived from the TE LUMAWISE Endurance S Connector System Application Specification 114-133074 (12 May 17 Rev 3). For more detailed installation instructions consult the latest TE Application Specification document.

A1. Mounting

A surface shall be provided on luminaire housing that is ideally flat. If a flat surface is not possible a secondary possibility is to have a flat surface in one direction and a minimum radius in the other of 500mm to mount the receptacle. To provide a water tight mounting seal, the luminaire surface must be free of dirt, debris, or burrs. Sealing gasket provided with the receptacle assembly must be used.

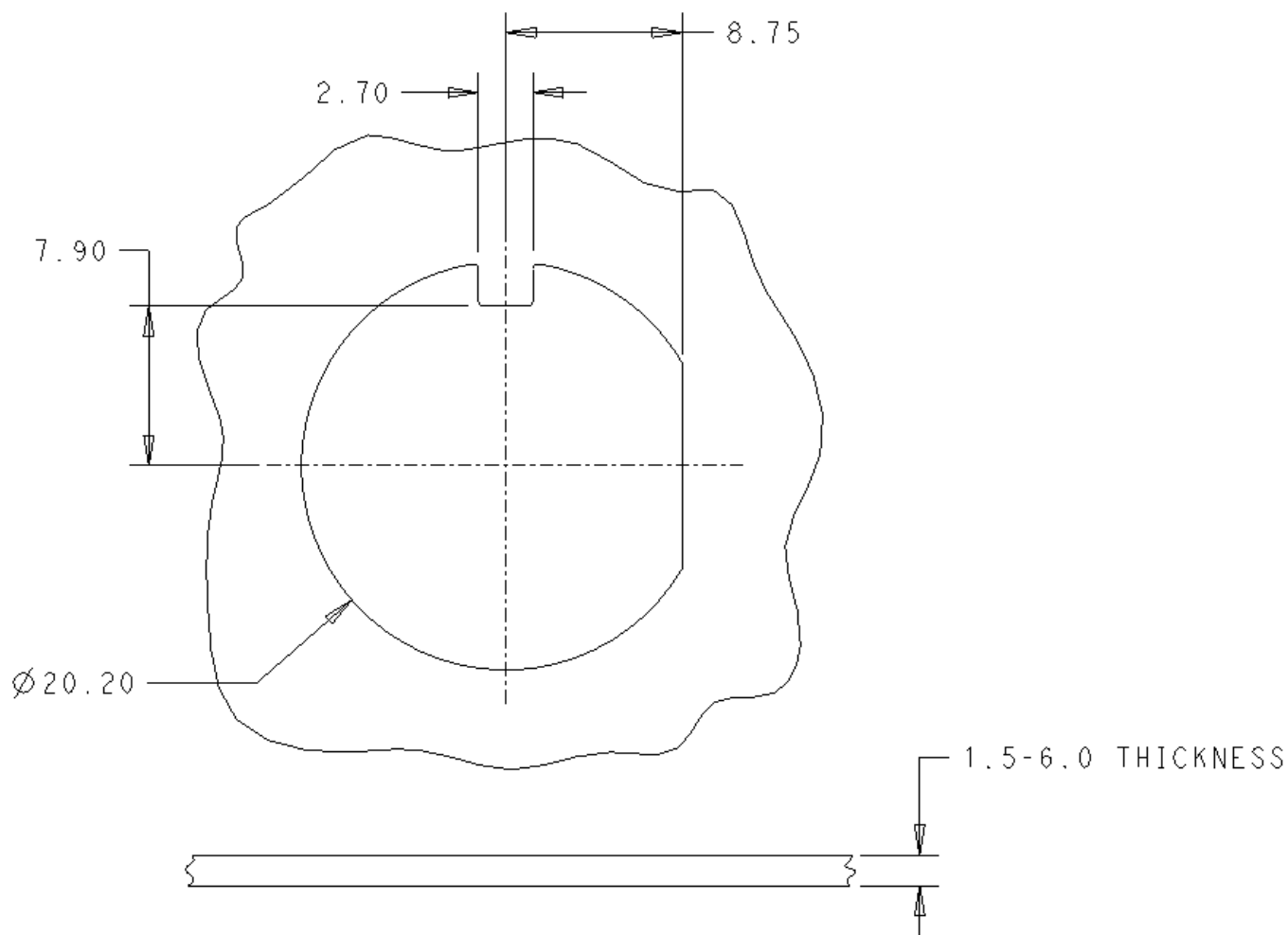
Receptacle can be used on a luminaire housing thickness between 1.5mm to 6.0mm. When mounting receptacle assembly, it must not rotate during locking washer and locking nut application. Torque mounting nut within the range of 1.8 to 2.4 N-m using a 27mm hex socket.

The location of the hole must be on the top side of the luminaire.



A2. Mounting Hole Pattern

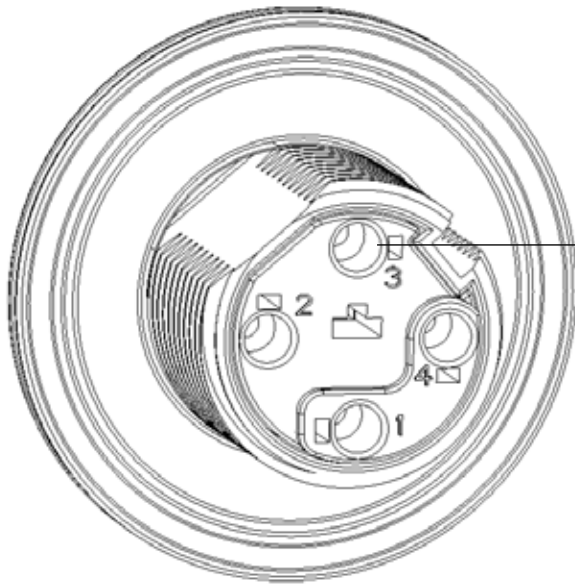
The recommended mounting hole can be seen below. Refer to product drawing for additional details.



NOTE: Variations to the recommended mounting hole are possible but must be verified by the end user to ensure they do not result in excessive movement of the receptacle assembly during mounting or use. Excessive movement could result in reduced system performance. An absolute maximum hole diameter of 22.0mm should be used.

A3. Wire Locations

The receptacle is wired on the bottom side of the assembly; access from the inside of the luminaire. Wire entry locations are labelled 1, 2, 3, and 4. Corresponding contact designations are marked the same on the module bases for PCB alignment.

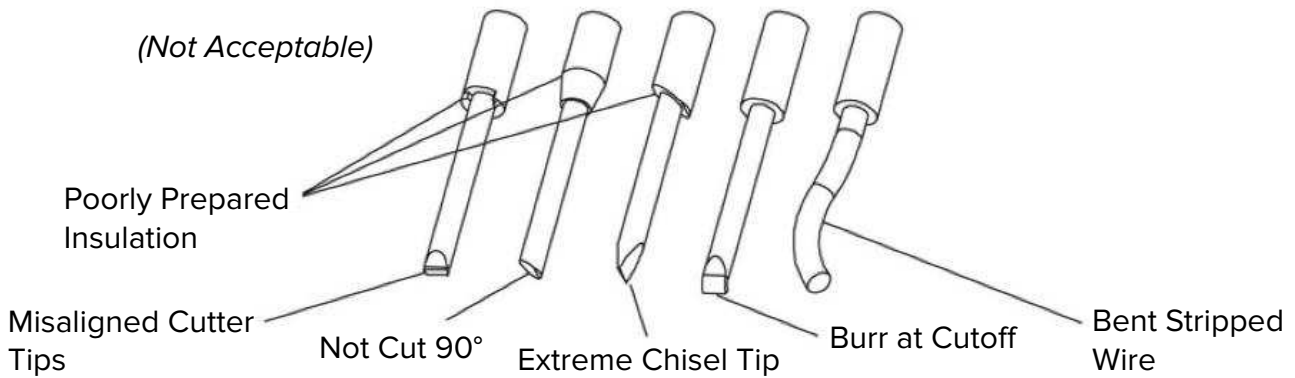
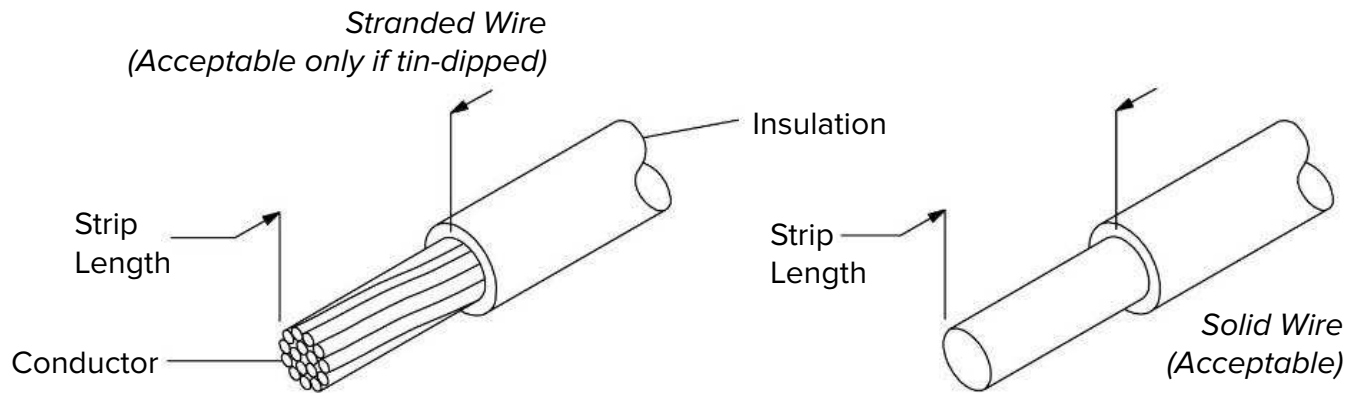


Receptacle assembly with pre-installed gasket

Pun Number	Function
1	+24V power supply
2	Negative pole for DALI or DALI based protocol and shared GND return for 24V power supply
3	Positive pole for DALI or DALI based protocol
4	General digital I/O (greater than 7V)

A4. Wire Selection and Preparation

The receptacle assembly will accept 16 through 20AWG solid and 18 through 20AWG stranded tin-dipped copper wire only. The table in Figure 5 provides wire selection for the Poke-In Connectors.



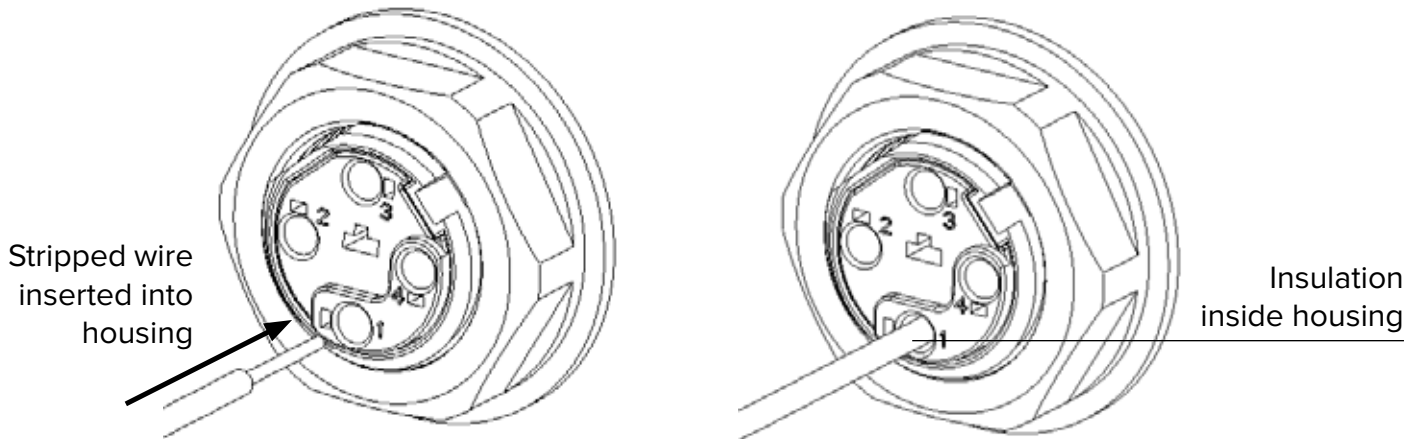
Recommend Wire			
Wire Size	Wire Type	Insulation Diameter	Strip Length
16 AWG	Solid	ø2.95 MAX ø1.90 MIN	11.0 ±1.0
18 AWG	Solid		
	Stranded (tin-dipped)		
20 AWG	Solid		
	Stranded (tin-dipped)		

NOTE: Recommended maximum insulation diameter should be as provided in Figure 5. Wires with larger insulation diameters will not fit within the housing's poke-in hole insulation tunnel. Wires utilizing semi-rigid insulation are recommended to minimize movement of the insulation along the axis of the wire. Movement of the insulation will result in variation of the wire strip length which can lead to incorrect wire termination.

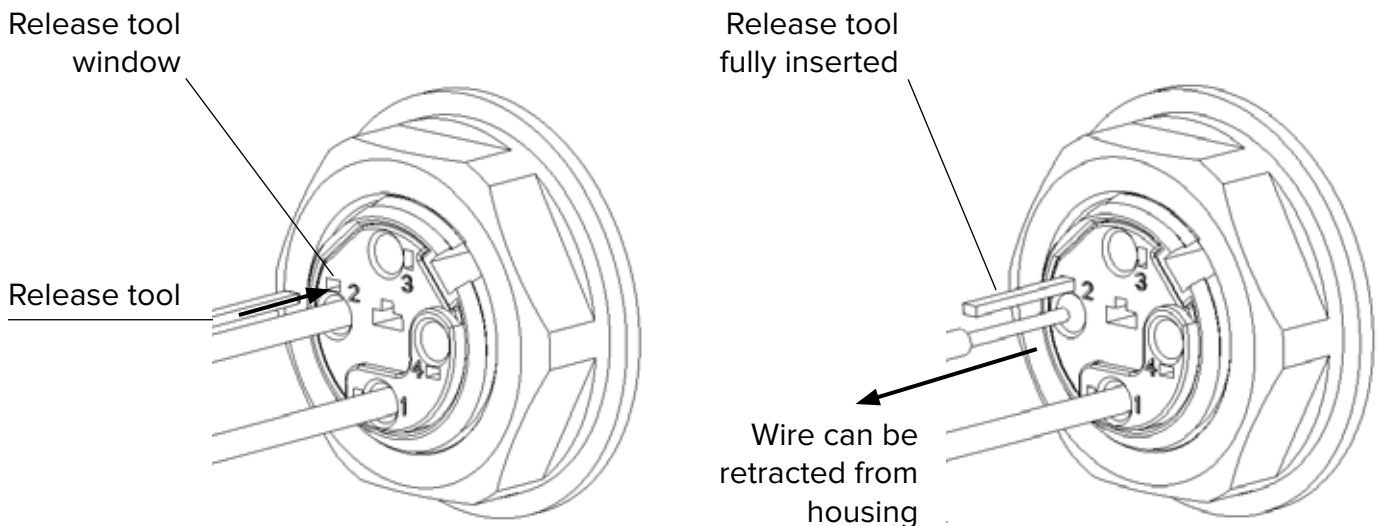
A5. Wire Termination

All wires must be pushed firmly inside the contact wire openings. The wires must be fully inserted so that the wire insulation is inserted between three and five millimeters into the rear of the housing.

The required wire termination depth is achieved when the wire has bottomed in the connector housing. Connector design has an internal wire stop.



A fully inserted wire can be extracted from the receptacle using a tool and the release tool window located on the bottom of the receptacle housing. Using tool tip that is 0.8mm x 1.4 mm in cross section and 16.0mm long, insert it into the window (one per wire) and open the contact beams. The wire may then be extracted from the connector along the axis of wire insertion direction.



CAUTION: Extraction device to be free from burrs and sharp edges to ensure no damage is done to connector terminals.



CAUTION: A new stripped wire must be re-inserted into cavity after extraction of existing wire. **DO NOT** re-use extracted wire.



DANGER: Extreme caution to ensure there is no power in the system prior to insertion of wire extraction device. Electrical shock or system damage can result if care is not taken.